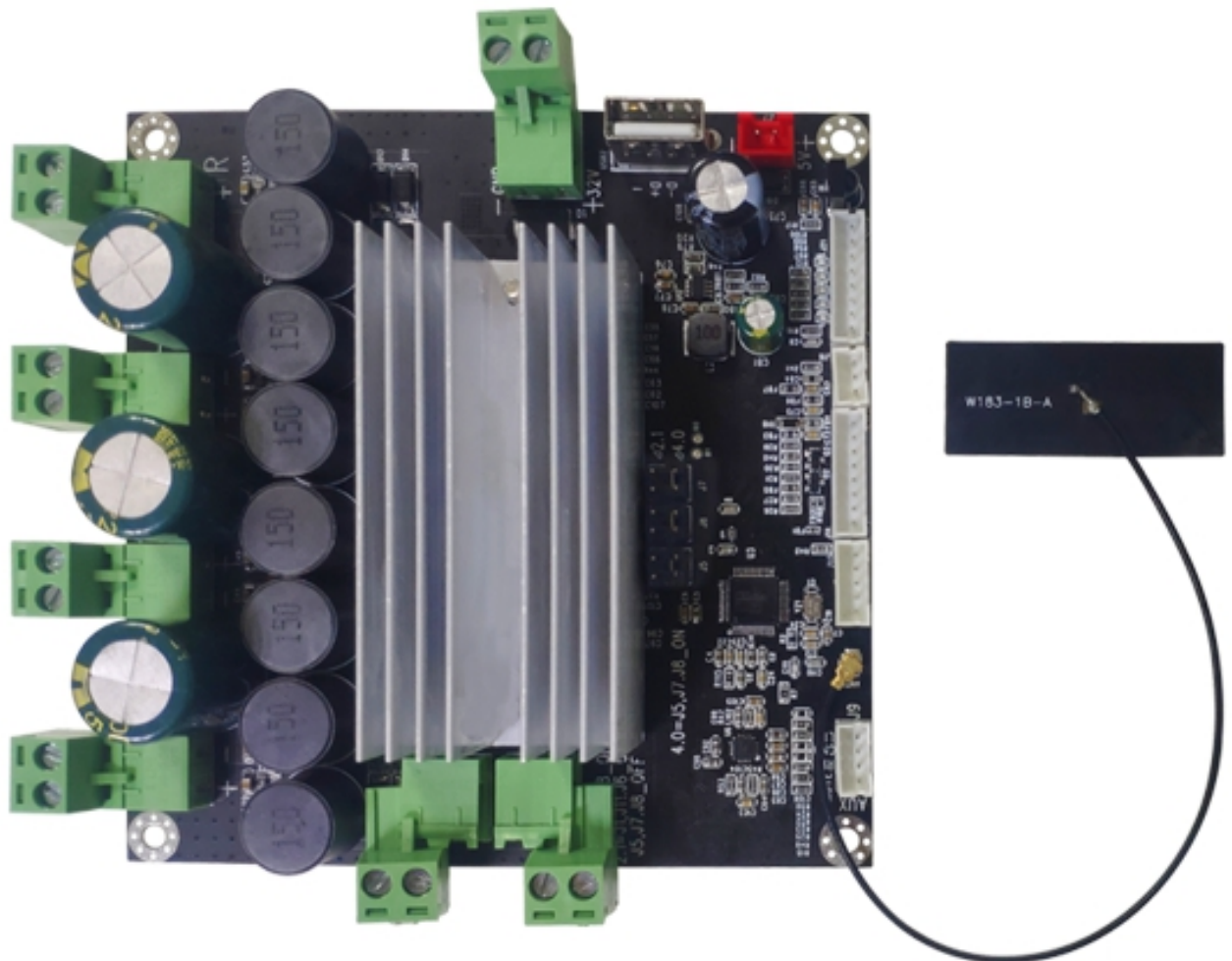


# Audio Amplifier Board CL-400W



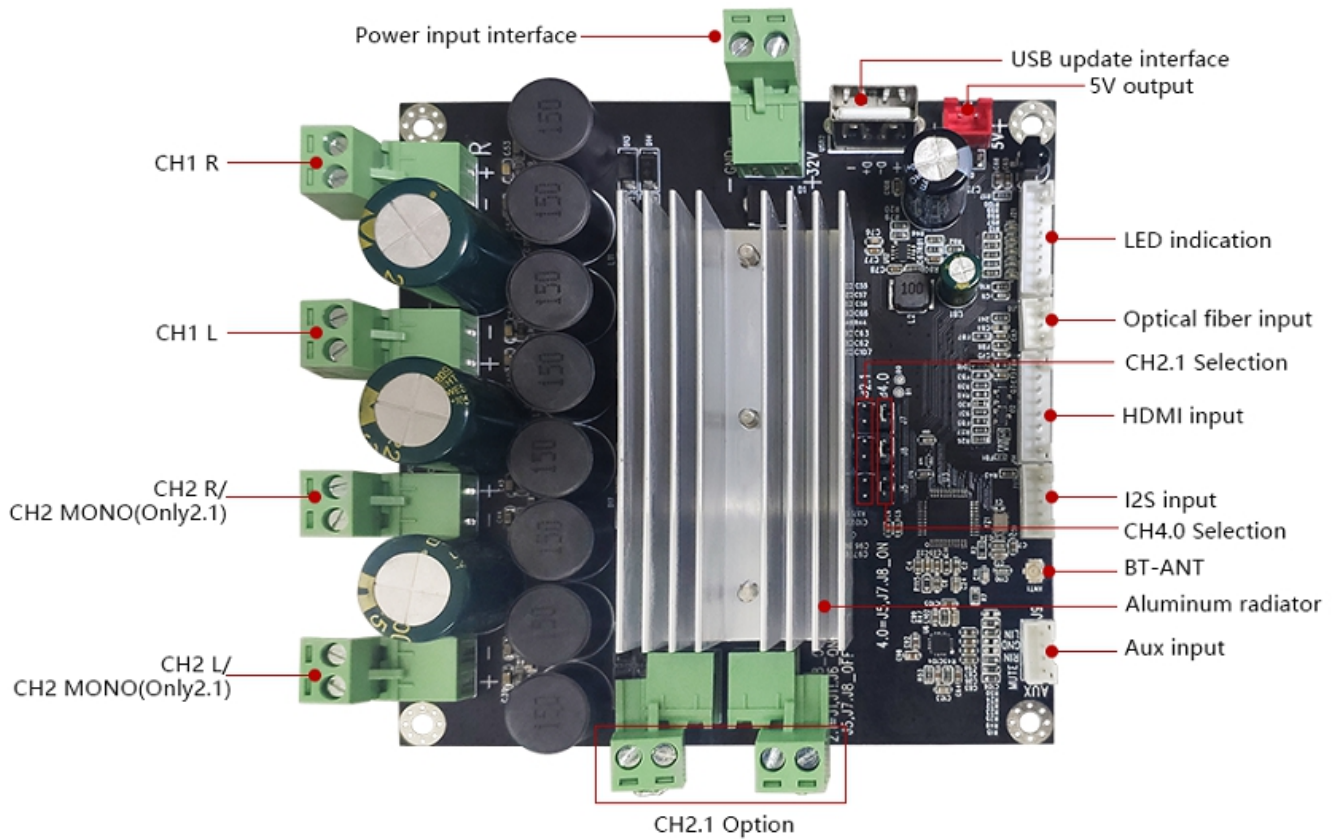


## Features

- \* High power
- \* Support Bluetooth 5.0
- \* Bluetooth / AUX / Optical fiber / HDMI / I2S input
- \* USB interface update
- \* Remote control receiver
- \* Bass treble volume adjustment
- \* 2.0 / 4.0 / 2.1 optional
- \* Applicable speaker impedance: 4 / 6 / 8 ohm

## Main technical parameters

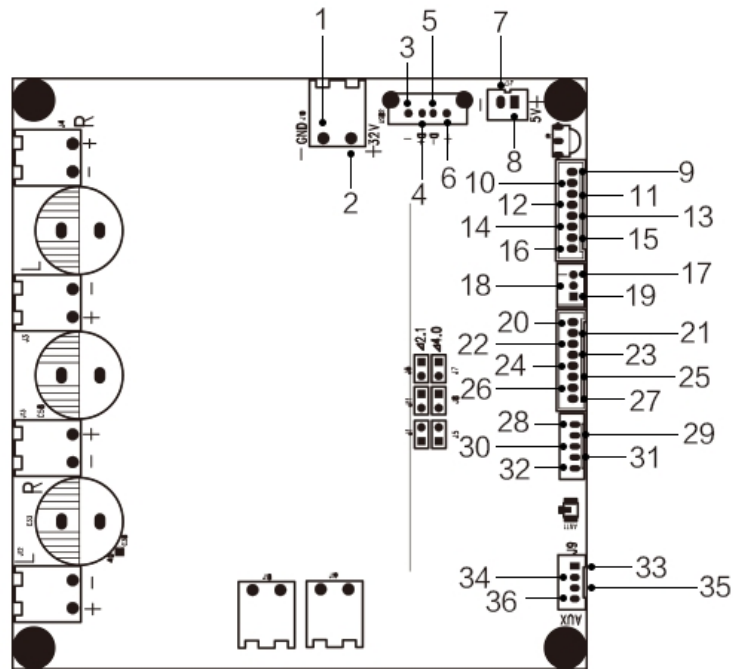
Name	Technical Parameter
Product name	Audio amplifier board
Product model	CL-400W
Work Voltage	DC 32V-5A
Output Power	4X120W(4Ω)
Frequency Response	20Hz - 20kHz
Harmonic Distortion	0.5%
Impedance	2k Ohm
SNR	≥ 85db
AUX input sensitivity	1V



Number	Channel	Selection
1	CH4.0	J5、 J7、 J8 Jumper in, J1、 J6、 J11、 J18、 J19 Jump away
2	CH2.1	J1、 J6、 J11、 J18、 J19 Jumper in, J5、 J7、 J8 Jump away

(Interface description)

## Pin definition and GPIO pin description



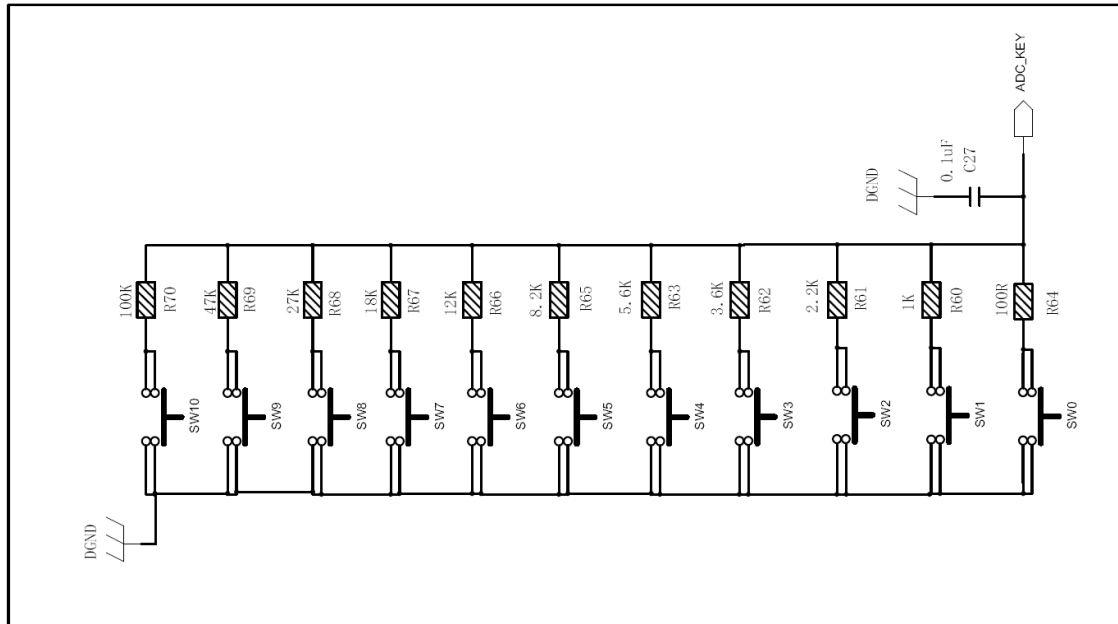
NO.	Name	Type	Function
1	GND	GND	Power supply ground wire
2	+32V	VCC	Input power---voltage range (24~32V), the higher the voltage, the greater the power
3	GND	GND	Ground wire
4	DP	I	USB-DP
5	DM	I	USB-DM
6	5V	VCC	U disk 5V power supply
7	GND	GND	Ground wire
8	5V	VCC	5V output, there are other power requirements can be taken from here
9	GND	GND	Ground wire
10	GND	GND	Ground wire
11	AUX_LED	O	AUX_IN mode indicator
12	BT_LED	O	BT mode indicator
13	I2S_LED	O	I2S_IN mode indicator
14	HDMI_LED	O	HDMI mode indicator
15	Optical_LED	O	Optical mode indicator



## Shenzhen Cloudecho Audio Co.,Ltd

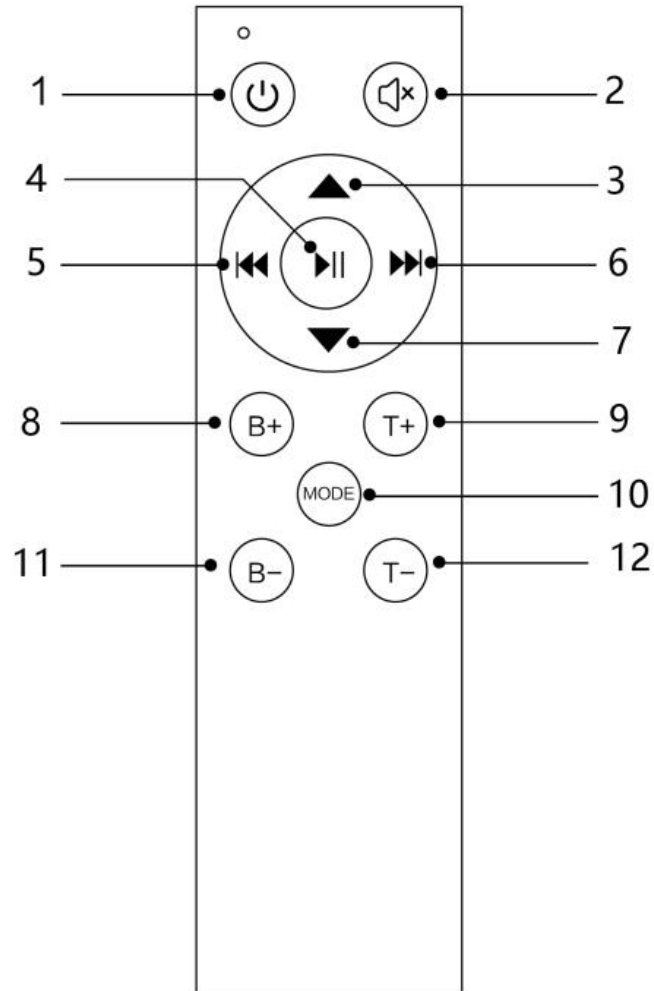
16	ADC_KEY	I	ADC button extension interface---Please refer to "ADC Button extension Instructions" for specific application
17	SPDIF	I	Optical signal input
18	GND	GND	Ground wire
19	VCCOP	VCC	Optical receiver power supply
20	GND	GND	Ground wire
21	DECT	I	HDMI DECT
22	HDMI_5V	VCC	Ground wire
23	I2C_SDA	I/O	HDMI SDA
24	I2C_SCL	I/O	HDMI SCL
25	ARC	I	HDMI ARC Output
26	GND	GND	Ground wire
27	CEC	I	HDMI CEC
28	GND	GND	Ground wire
29	DI	I/O	I2S Data Input
30	BCLK	I/O	I2S BCLK
31	LRCLK	I/O	I2S LRCLK
32	MCLK	I/O	I2S MCLK
33	LIN	I	AUX left channel input
34	GND	GND	Ground wire
35	RIN	I	AUX right channel input
36	MUTE	I	Power amplifier Mute external control interface, receiving low level Mute, high level UnMute

### ADC button extension description



Key Number	Corresponding voltage divider resistance value	Function Description	
		Short press	Long press
ADC-key0	100R	Mode switching	Standby/out standby
ADC-key1	1k	Play pause	Bluetooth pairing
ADC-key2	2.2k	Previous Song	Vol-
ADC-key3	3.6k	Next track	Vol+
ADC-key4	5.6k	BASS+	BASS+
ADC-key5	8.2k	BASS-	BASS-
ADC-key6	12k	TREB+	TREB+
ADC-key7	18k	TREB-	TREB-
ADC-key8	27k	N/A	RESET(BASS/TREB RESET)
ADC-key9	47k	N/A	N/A
ADC-key10	100k	N/A	N/A

## Description of infrared remote control buttons



- 1) Standby key: standby/exit standby;
- 2) Mute/Unmute
- 3) Volume plus key;
- 4) Play/Pause button;
- 5) Last song;
- 6) Next song;
- 7) Volume down button;
- 8) B+: Increase the BASS value of the audio amplifier;
- 9) T+: Increase the TREB value of the audio amplifier;

10) MODE button: Short press to switch mode

( BT-->AUX-->OPTICAL-->HDMI-->BT)

Long press to reset the BASS and TREB values of the audio amplifier to the default values;

11) B-: Reduce the BASS value of the audio amplifier;

12) T-: Reduce the TREB value of the audio amplifier.

## Product Size

